

DOUBLE POLE STRUCTURE ON FOUNDATION

LANDSCAPE PLACEMENT - 6X3

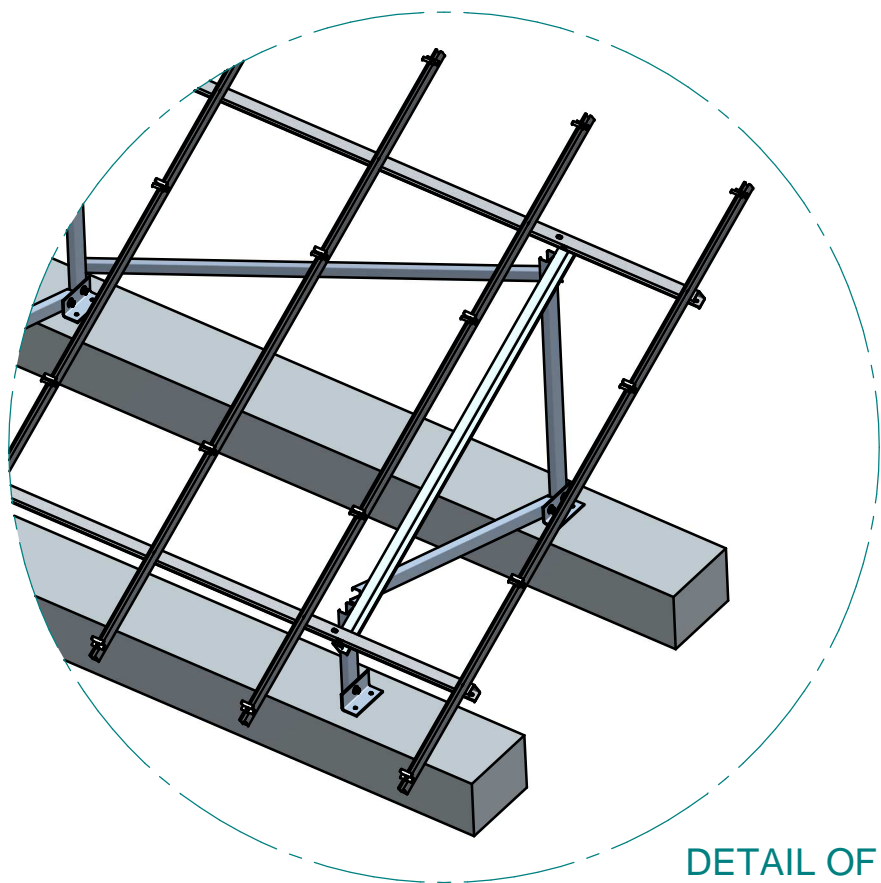
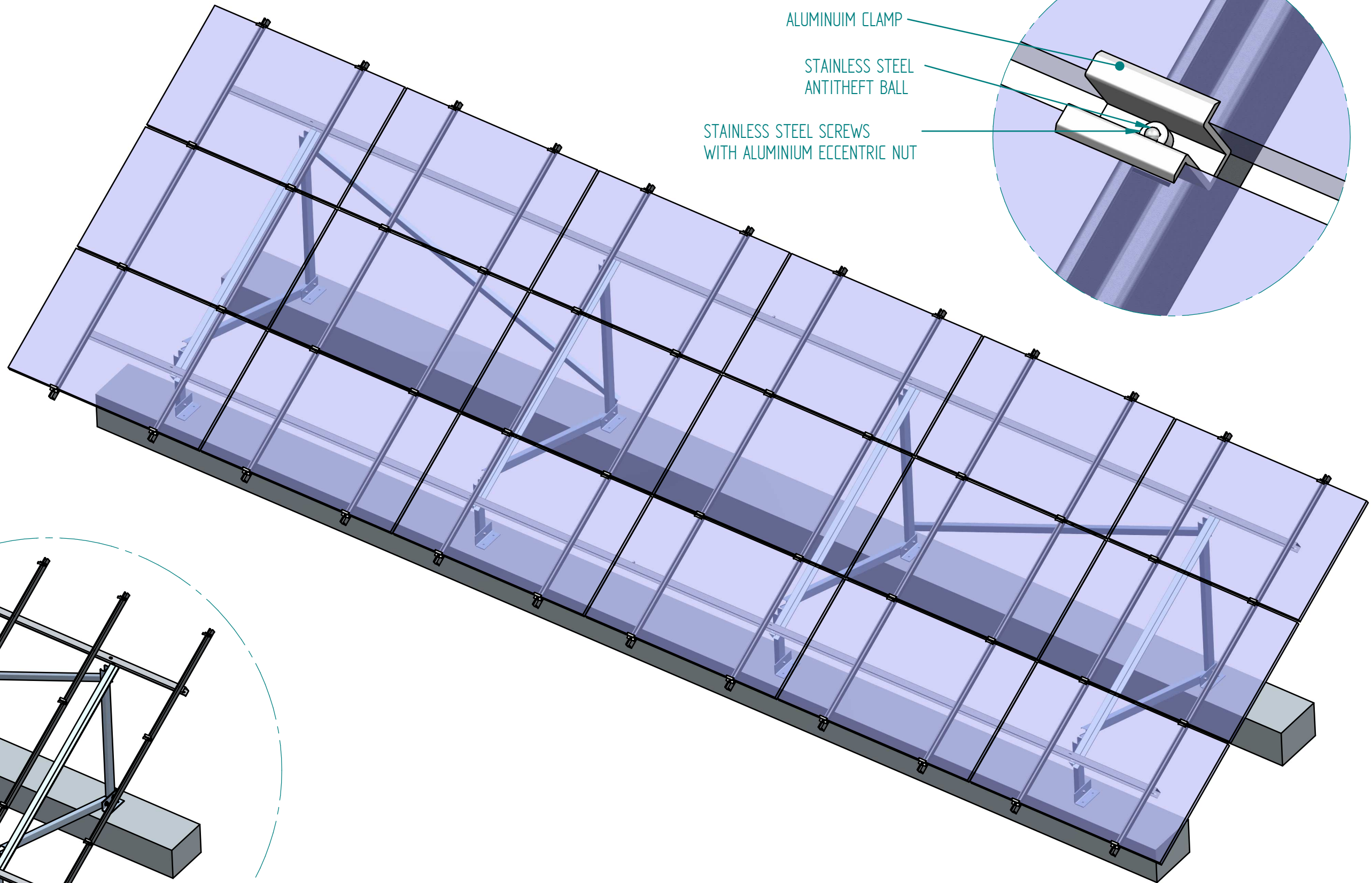
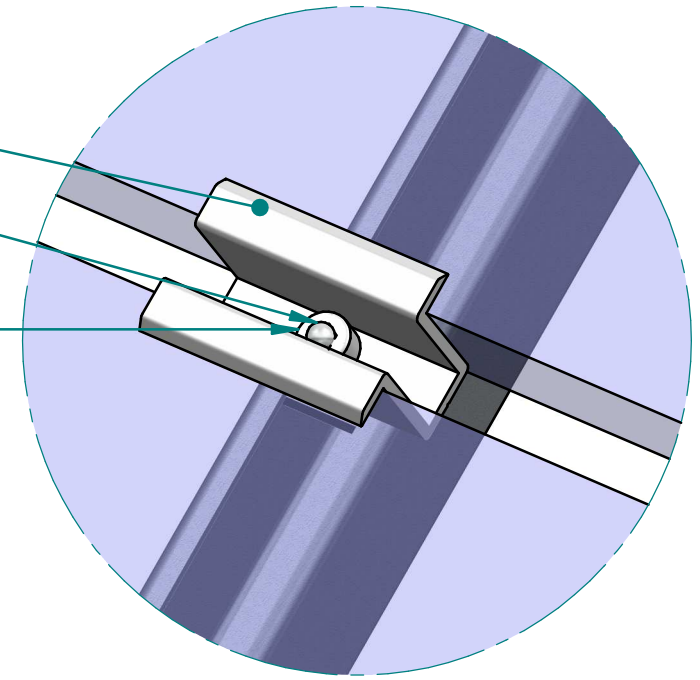
2020_1647 - FINAL DRAWINGS KIT A
CODE FTM4232
PV MODULE 1650X992X35

DETAIL OF MODULE FIXING

ALUMINIUM CLAMP

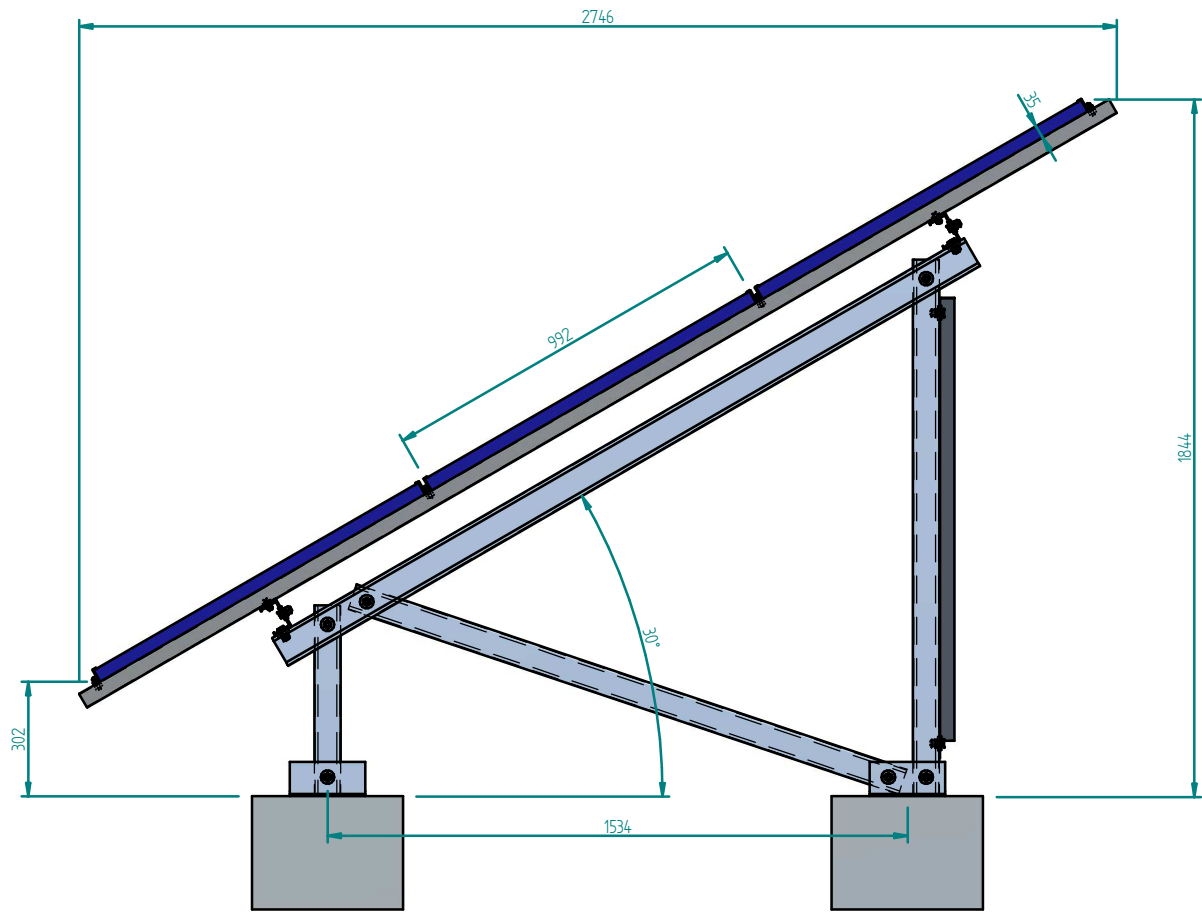
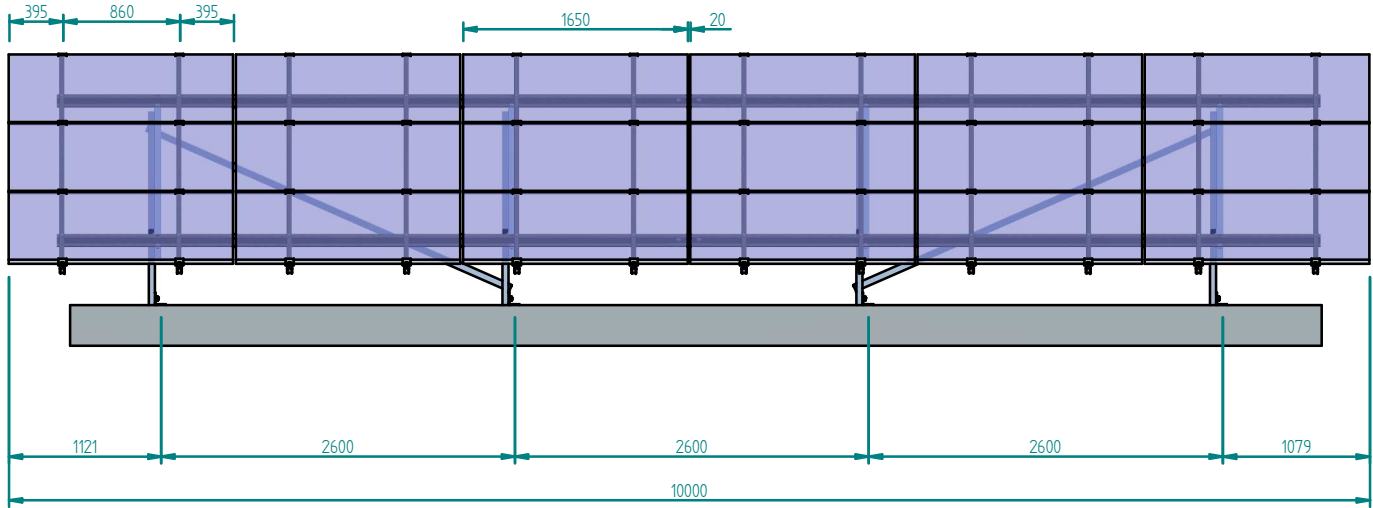
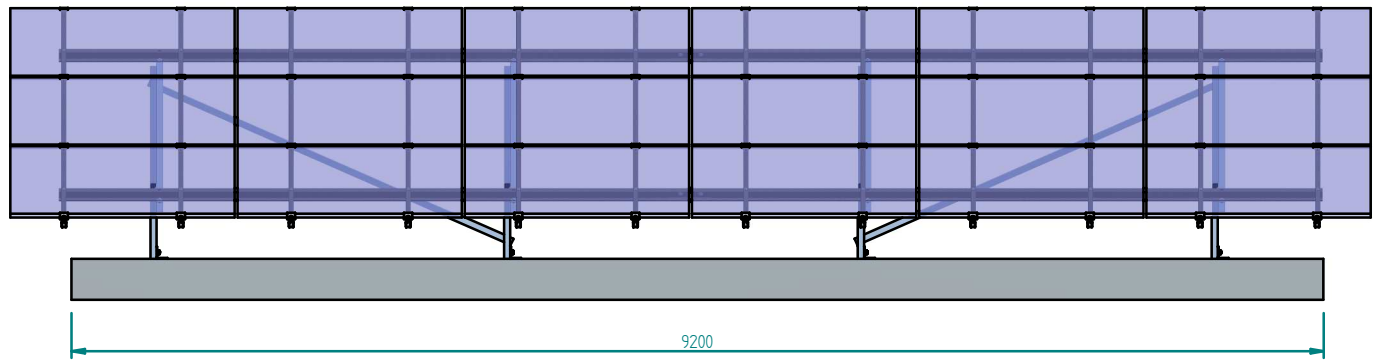
STAINLESS STEEL
ANTITHEFT BALL

STAINLESS STEEL SCREWS
WITH ALUMINIUM ECCENTRIC NUT

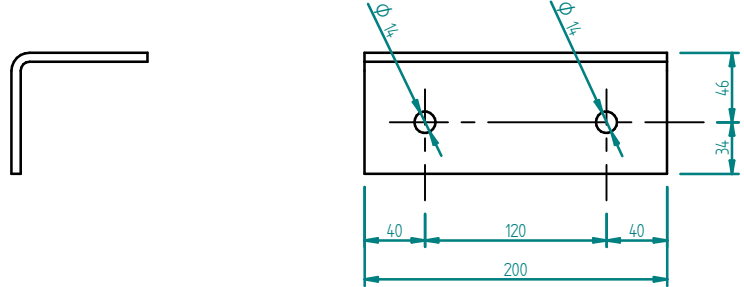


DETAIL OF STRUCTURE FRAME

2020_1647 - FINAL DRAWINGS KIT A
 CODE FTM4232
 PV MODULE 1650X992X35



DETAIL OF BASE PLATE



MATERIALS

BASE PLATES: Structural steel S355 hot-dip galvanized according to EN 1461.
 STRUCTURE: Pregalvanized steel S350GD+ZM310
 FASTENERS: stainless steel A2
 CLAMPS: aluminium with screw and anti-theft ball in stainless steel.

NOTE: the design of structure and foundations must be checked according to the effective location of building site (see calculation report for more details).

