

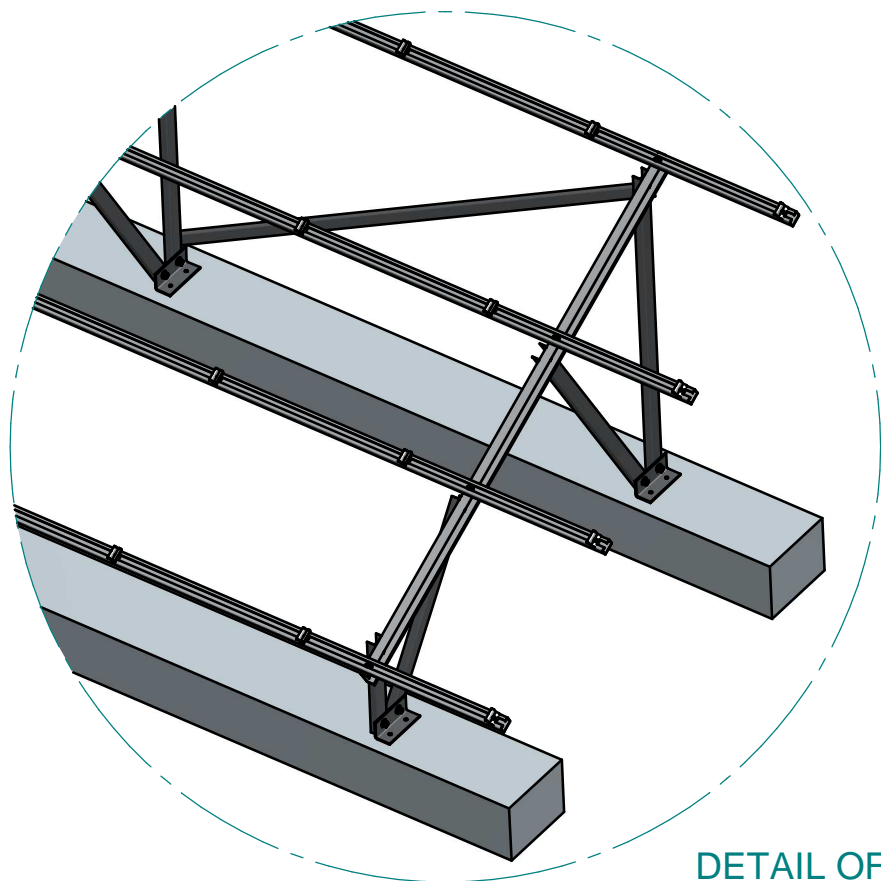
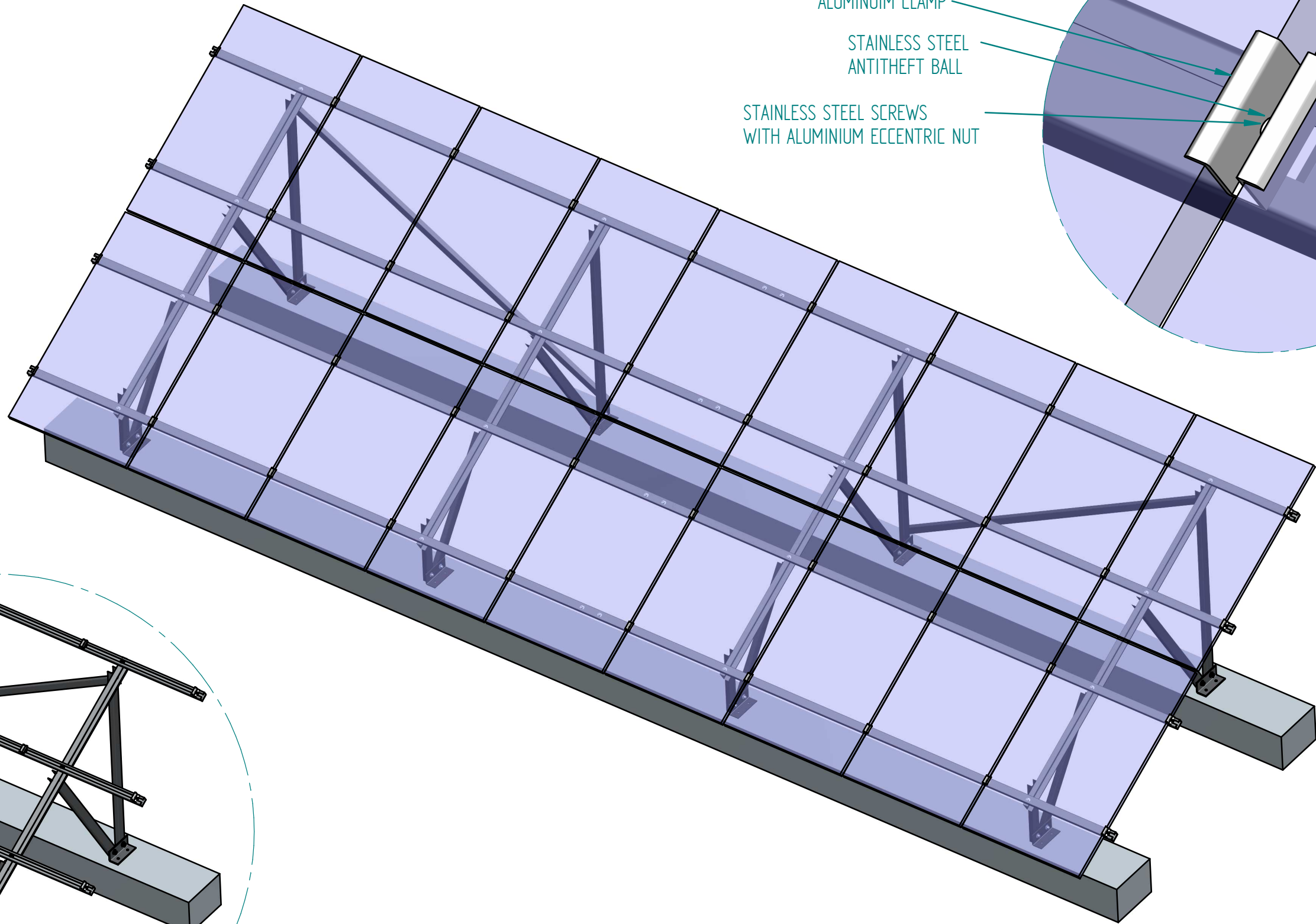
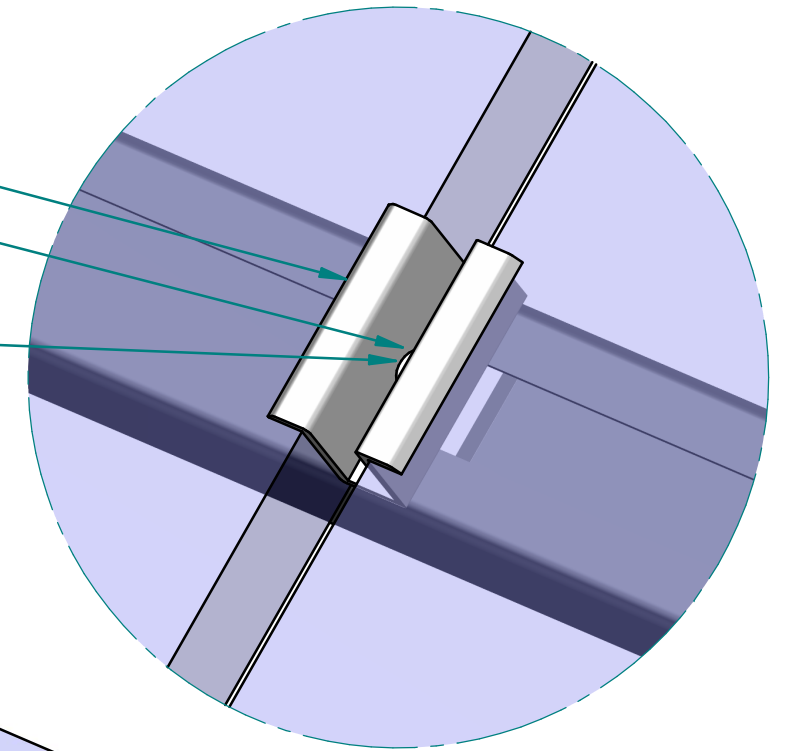
DOUBLE POLE STRUCTURE ON FOUNDATION

PORTRAI PLACEMENT - 9X2

2020_1647 - FINAL DRAWINGS KIT C
CODE FTM4236
PV MODULE 1684X1002X35

DETAIL OF MODULE FIXING

ALUMINIUM CLAMP
STAINLESS STEEL ANTITHEFT BALL
STAINLESS STEEL SCREWS WITH ALUMINIUM ECCENTRIC NUT



DETAIL OF STRUCTURE FRAME

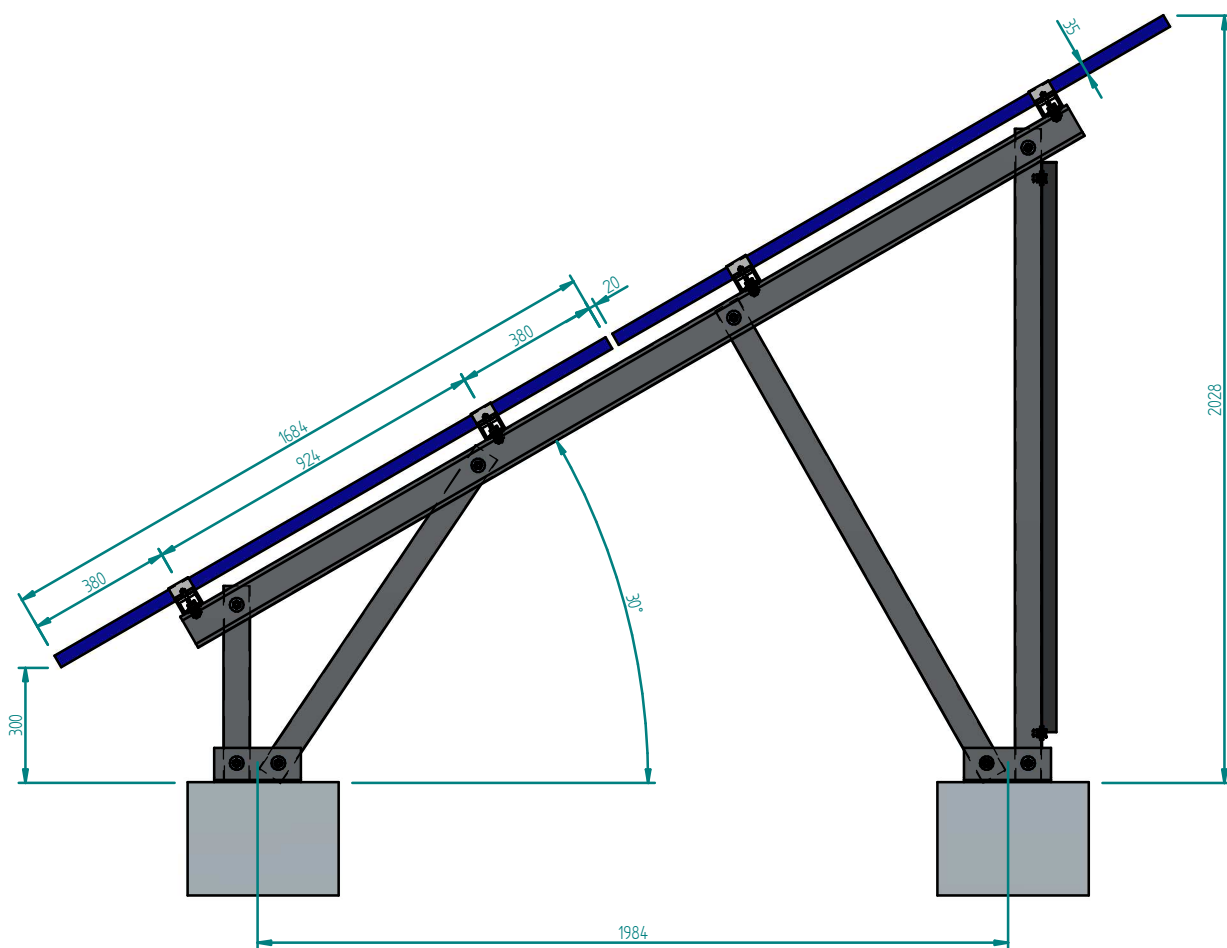
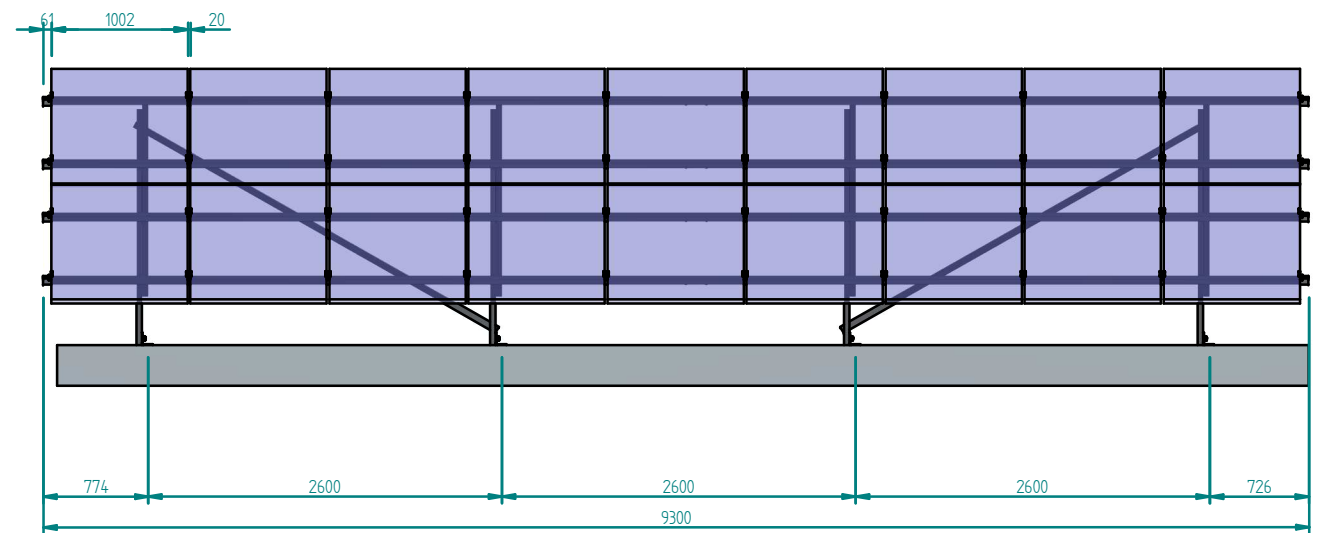
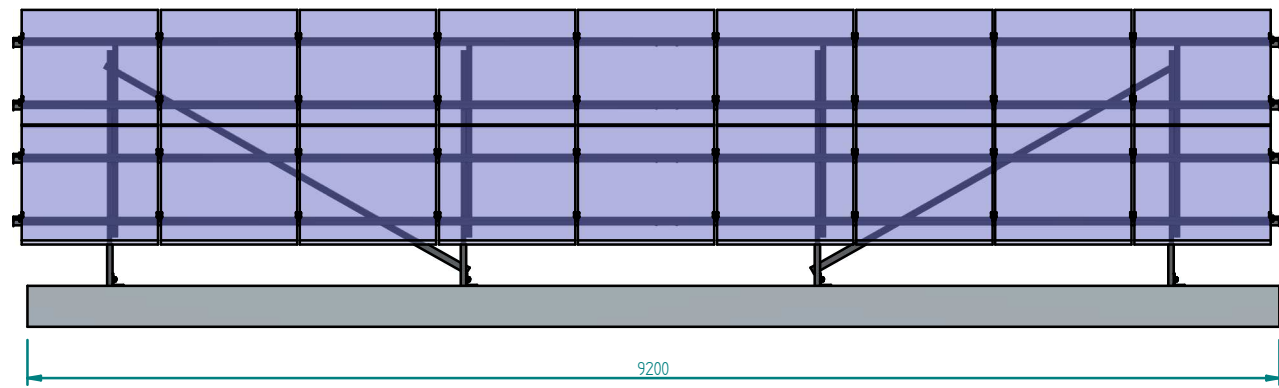
CMGP
Eau & Agriculture

AFNOR ISO 9001 QUALITE
Version 2015

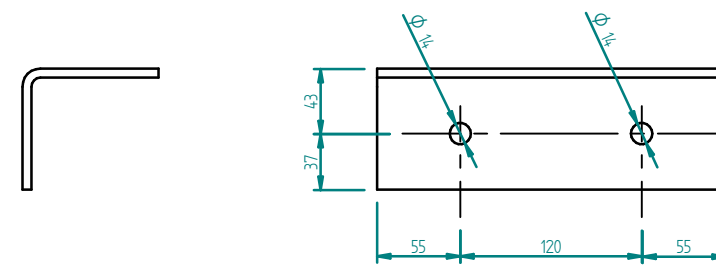
AFNOR ISO 45001 SANTE ET SECURITE DU TRAVAIL
Version 2018

AFNOR ISO 14001 ENVIRONNEMENT
Version 2015

2020_1647 - FINAL DRAWINGS KIT C
 CODE FTM4236
 PV MODULE 1684X1002X35



DETAIL OF BASE PLATE



MATERIALS

BASE PLATES: Structural steel S355 hot-dip galvanized according to EN 1461.

STRUCTURE: Pregalvanized steel S350GD+ZM310

FASTENERS: stainless steel A2

CLAMPS: aluminium with screw and anti-theft ball in stainless steel.

NOTE: the design of structure and foundations must be checked according to the effective location of building site (see calculation report for more details).