

SM1-PV DC Breaker Non-Polarity

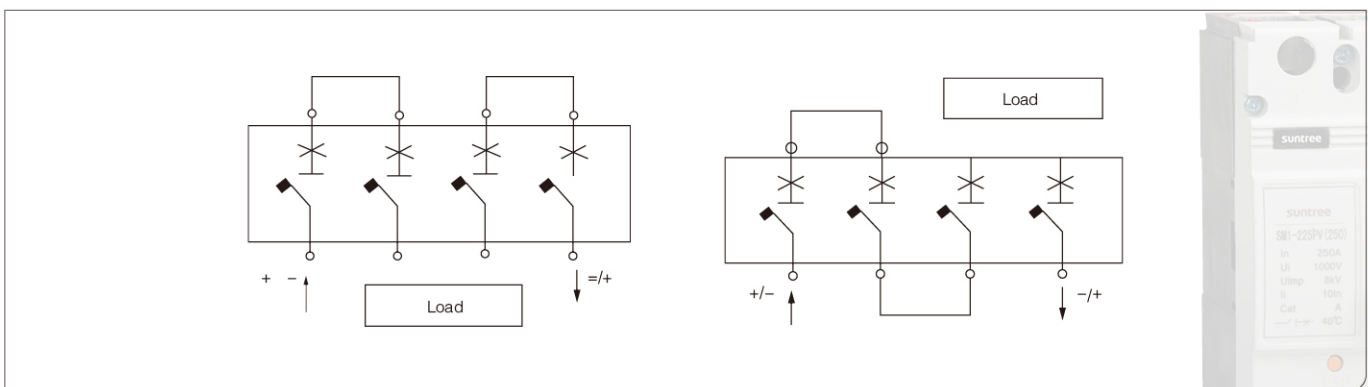
- Reliable protection at high ambient temperatures
- Loadable:string protection up to
 - 125 size:63A,80A,100A,125A
 - 250 size:160A,200A,225A,250A
 - 400 size:320A,400A
- Tested:Ultimate short circuit breaking capacity Icu of 25kA according to IEC IEC60947-2
- Fast: reclosable for minimum standstill times
- Safe: reliable disconnecter properties,switching under load
- Approval:Provided on request



Specifications

Rated Current In (A)	125:63A,80A,100A,125A, 250:160A,200A,225A,250A, 400:320A,400A
Ue Rated operating voltage (VDC)	3P 750V 4P DC1000V
Rated insulation voltage Ui (VDC)	DC1000V
Rated Impact voltage Uimp (kV)	8KV
Ultimate breaking capacity Icu (kV)	25KV
Trip type	Thermal-magnetic
Ambient temperature (°C)	-20°C ~70°C
Altitude	2000M
Instalation	Fixed,plug-in
Accessories	Auxiliary,Alarm,Shunt release,Manually operated and electric operation

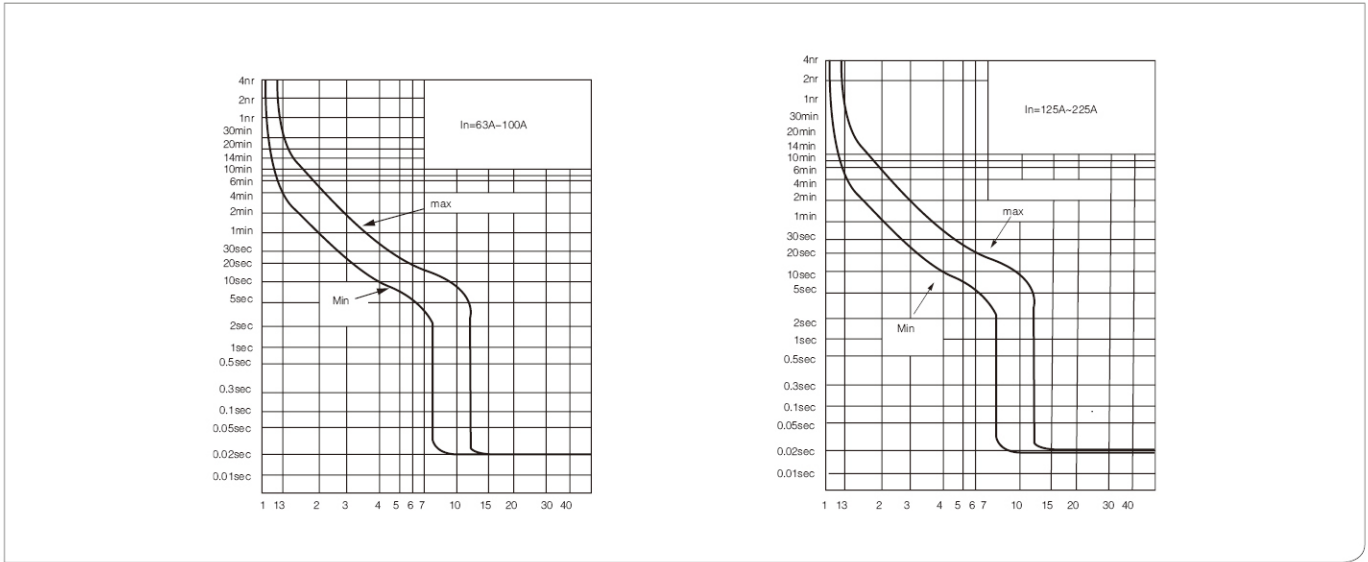
Wiring diagram



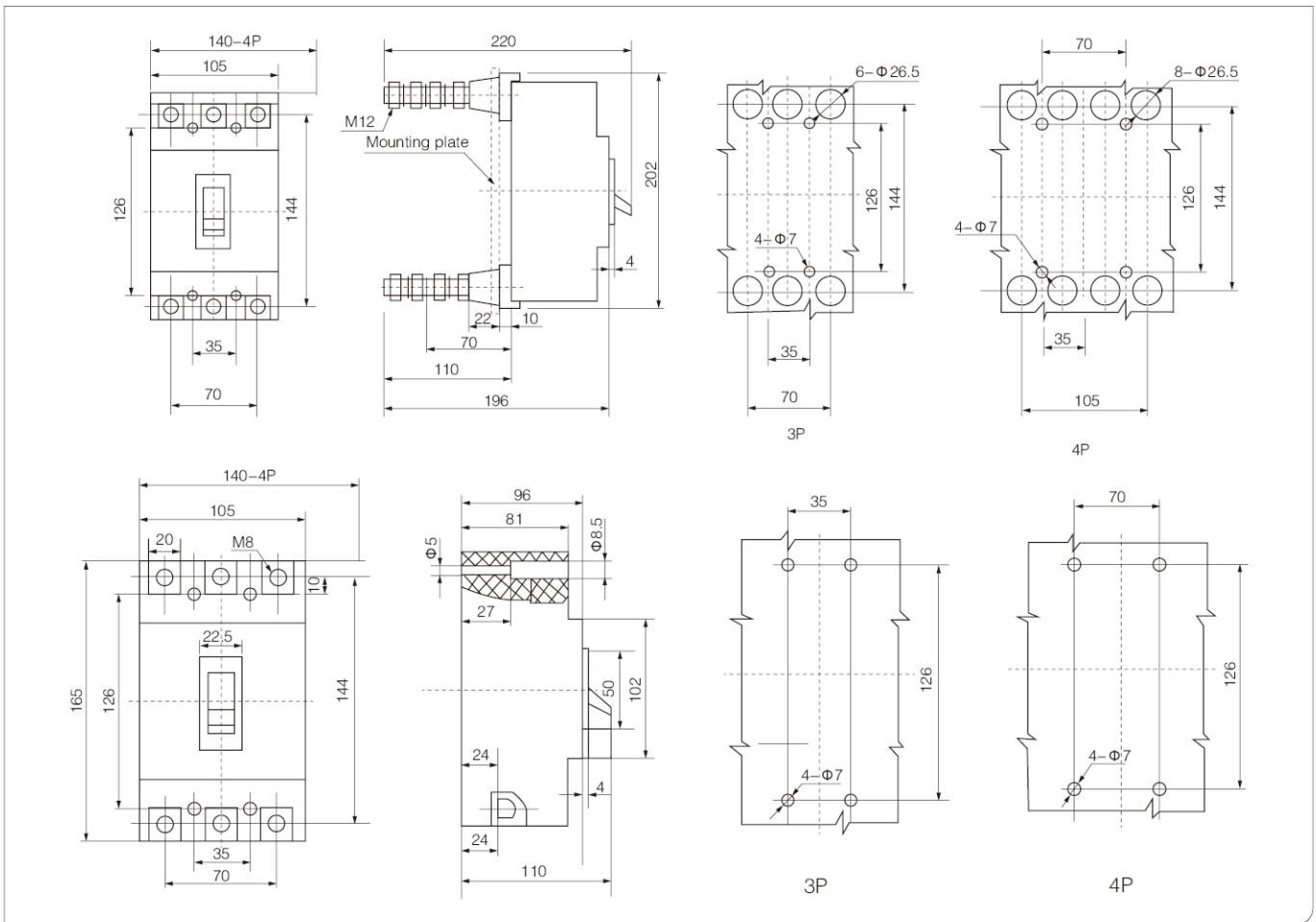
- Protection and Isolation wiring
- The load should be \leq DC1000V
The connection considered for anetwork in which the middle point of the supply source is earthed
In this case the breaker protects and isolates the load
- Protection and Isolation wiring
- The load should be \leq DC1000V
The Negative pole (-) could be earthed,but in both cases the breaker protects and isolates the load



Curve chart



Installation dimensions



*400A installation dimensions please contact manufacturers

*Customizable isolating switch, the model is SM1G-PV